

Operating Instructions

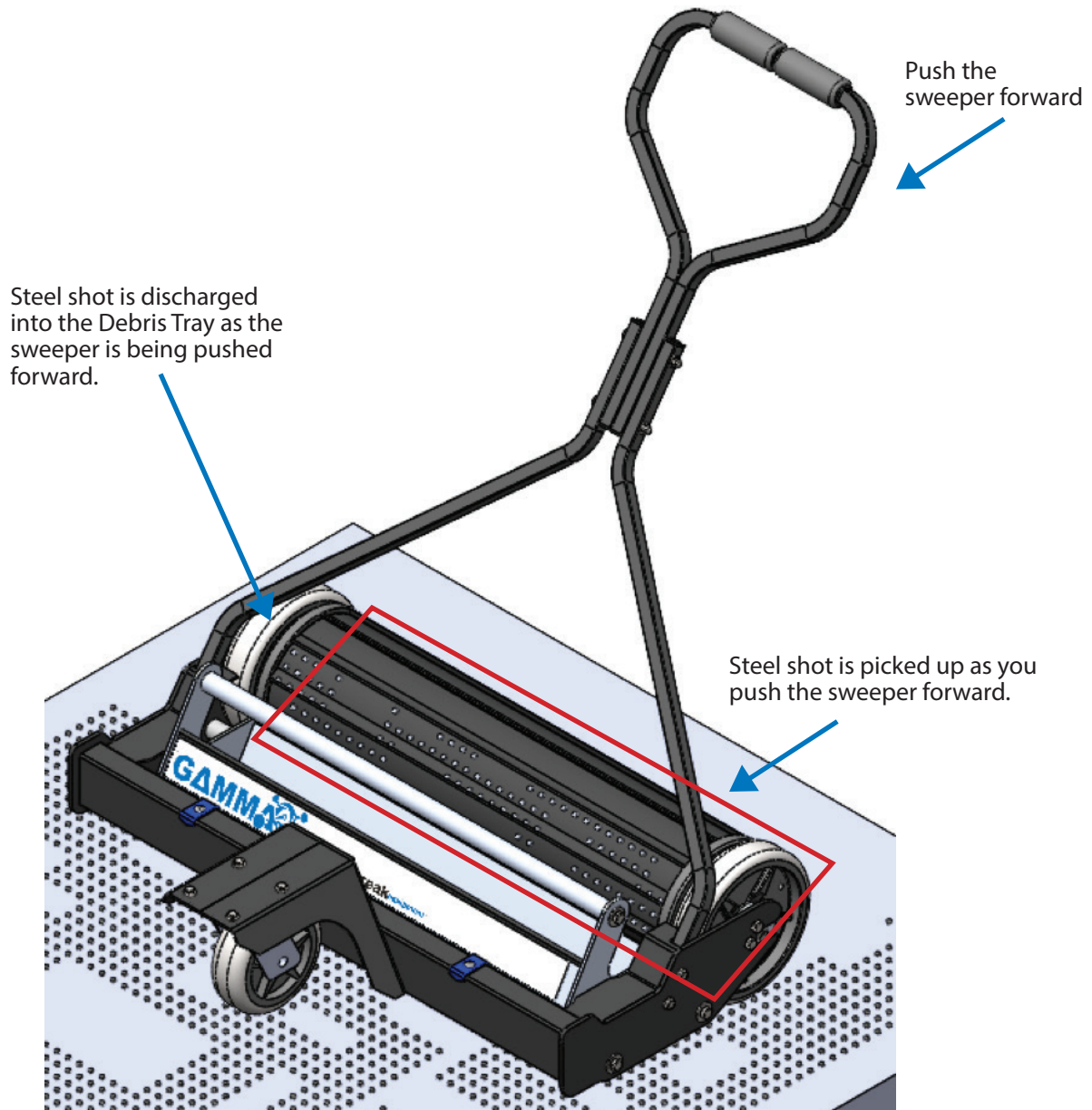


GAMMA 

 **Bluestreak**equipment MAGNETICS
APPLICATION DRIVEN DESIGN

Bluestreak Equipment
1645 Hwy #3, Delhi, Ontario, Canada N4B 2W6

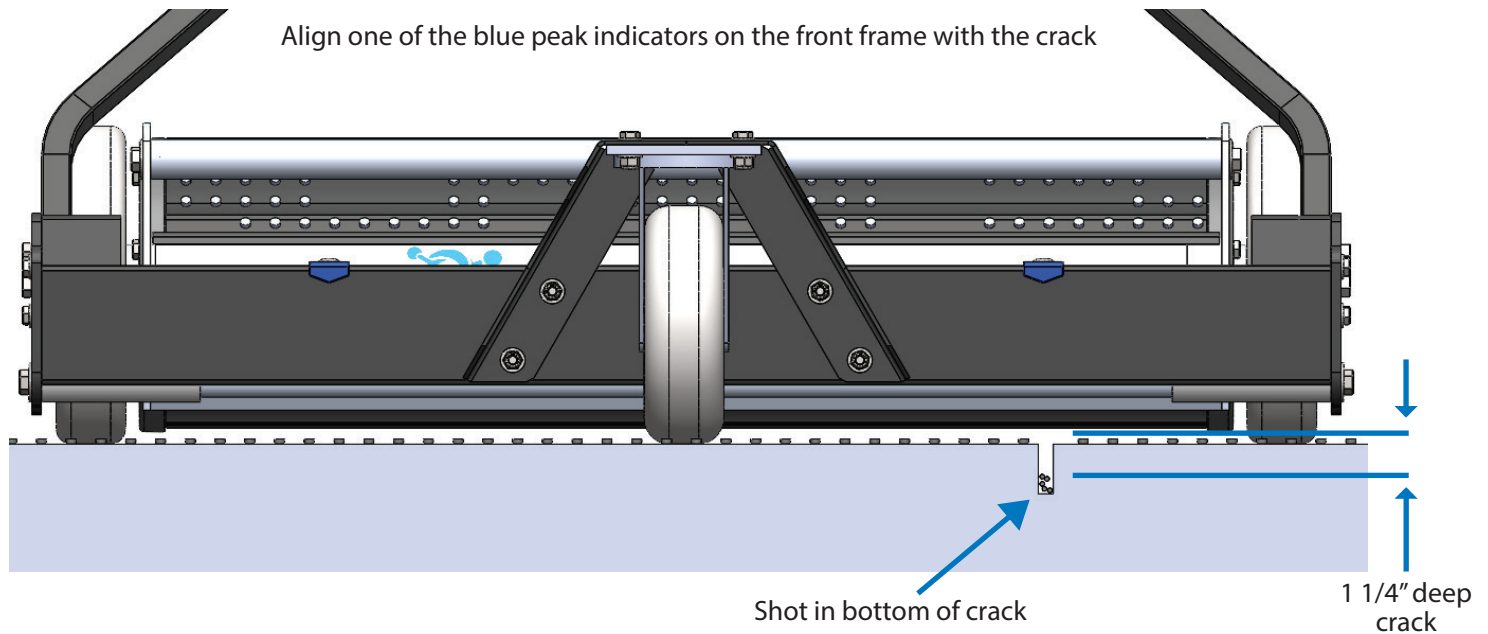
Overview of Operation



Operation of the magnetic sweeper is straight forward. Push the magnetic sweeper forward, and the sweeper will pick up steel shot and deposit it into the Debris Tray, leaving a clear path behind it. As the sweeper is pushed forward, the steel shot is continuously cleaned off from the bottom of the sweeper by the rotating finned drum. By design, this ensures that maximum magnet performance is continuously available.

Step 1. Picking Up Shot from Cracks/Control Joints

FRONT VIEW

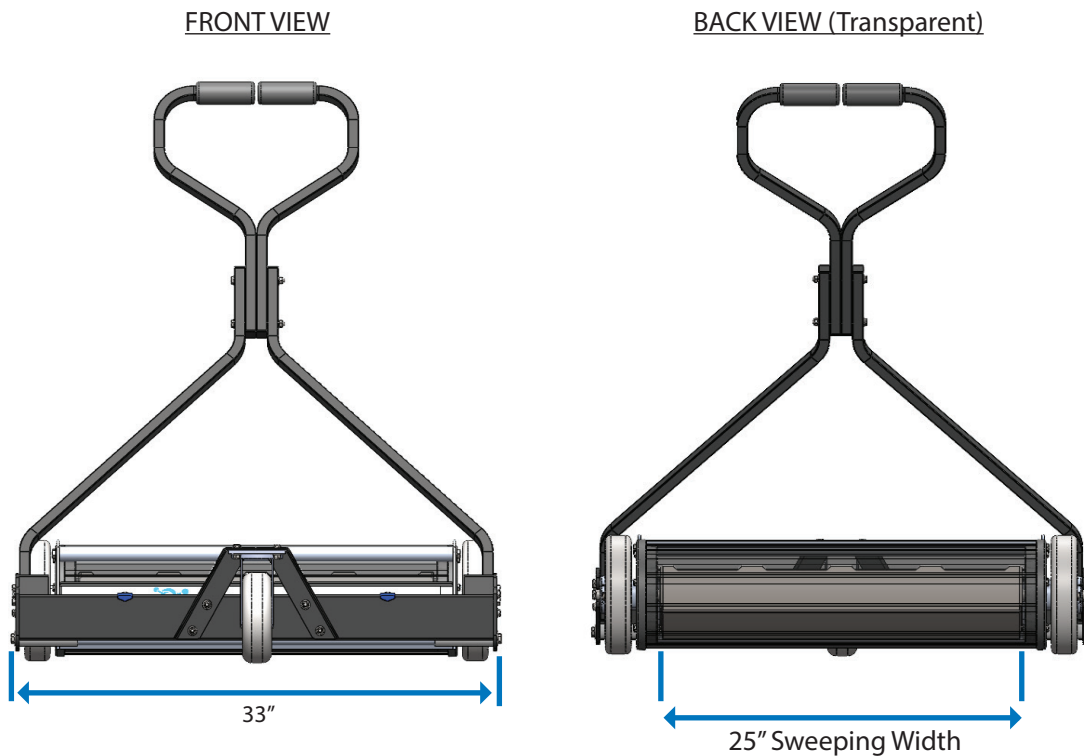


To remove steel shot from a control joint (up to 1 1/4" deep):

1. Align one of the blue peak indicators on the front frame with the crack. These are locations on the magnet with the strongest vertical pull force.
2. Run the magnetic sweeper along the length of crack.
3. Repeat if necessary.

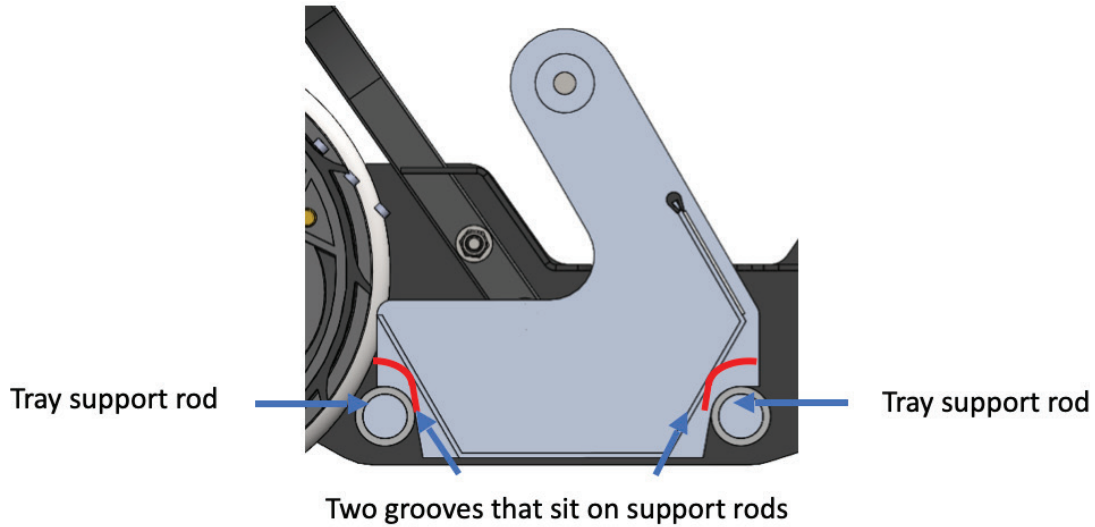
The sweeper is capable of picking up shot from cracks up to 1 1/4" deep.

2. Sweeping Width vs. Product Width

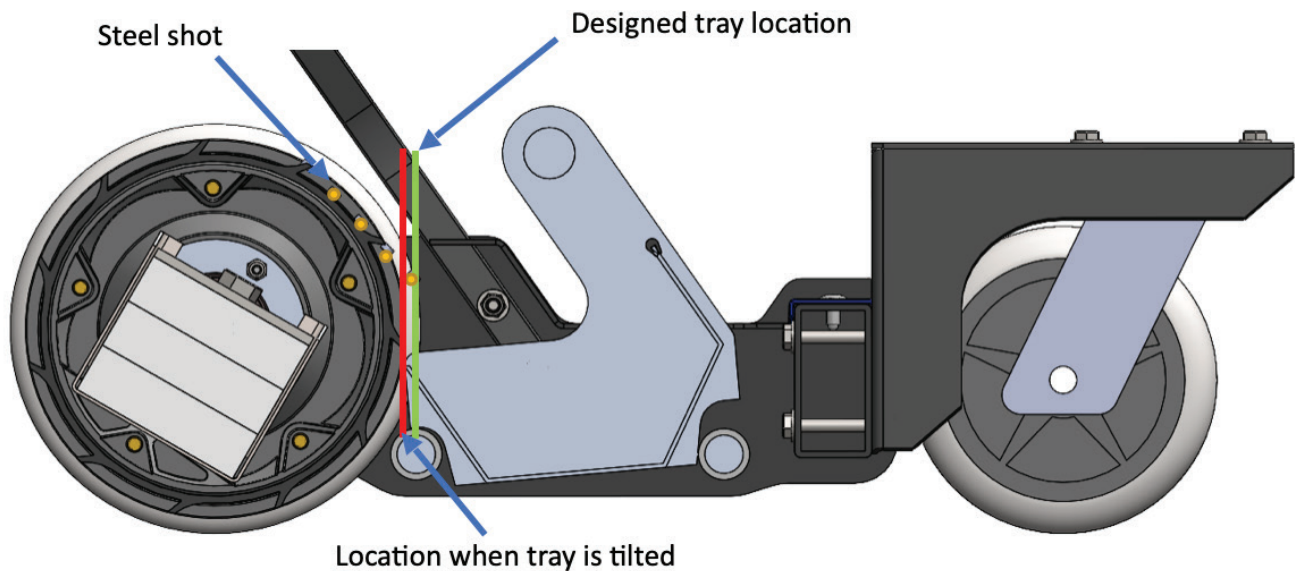


The sweeper has a total width of 33.6", however, that's including the width of the handles, end plates, wheels, and other clearances. The actual magnet width is 25", so the effective sweeping width is 25", leaving approximately 4.8" on each side of the sweeper.

3. The Debris Tray



The Tray's end cap has a groove on each bottom corner, which can sit on the two tray support rods.



When the Debris Tray is placed incorrectly (as shown above), it could result in tray shaking and rattling, causing damage to both end caps and support rod sleeves. It might also change the designed distance between drum and tray, causing the fin on the drum to get caught on the Debris Tray.

The Debris Tray can hold approximately 42 lbs of steel shot. Overfilling the Debris Tray could cause the shot to drop back to ground. Therefore, to maintain the performance, please empty the tray before it becomes full.



4. Parts Availability

All parts are available for the magnetic sweeper from your dealer or directly from
Bluestreak Equipment at www.blustreakequipment.com